

NORTH 43 LAGOON COMMISSION
Box 219
SANGUDO, AB. T0E 2A0
(780) 785-3411 or 1-866-880-5722

Dear Residents:

RE: Installation & Connection Specifications for Forcemain

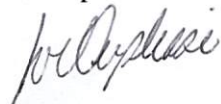
The North 43 Lagoon Commission does not have a preferred installer list for the work to be completed on private property and will not make any recommendations. We do recommend the "buyer beware" of any of the services that may be offered to you. For your information we have attached some information with regard to the on-lot services requirements that each homeowner is responsible for.

For installations on private property, you must use a **licensed installer** and they must obtain a permit from the local safety codes officer.

- Lac Ste. Anne County
 - o Superior Safety Codes Inc 1-866-999-4777
- Summer Village of Castle Island
 - o The Inspection Group 1-866-554-5048
- Summer Village of Yellowstone
 - o Superior Safety Code Inc 1-866-999-4777

Should you have any questions or concerns regarding this matter please contact the undersigned.
Regards,

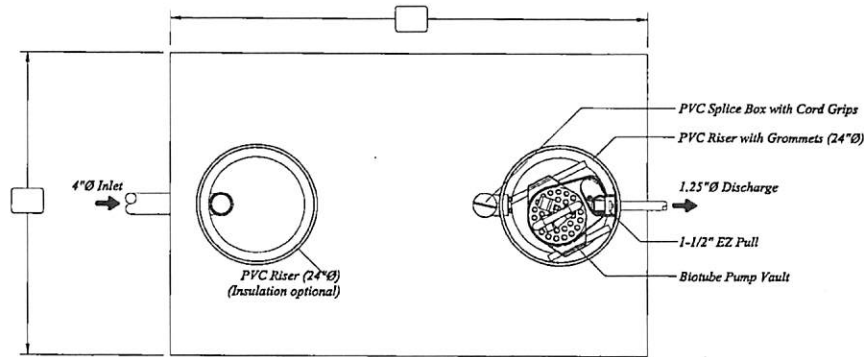
Joe Duplessie



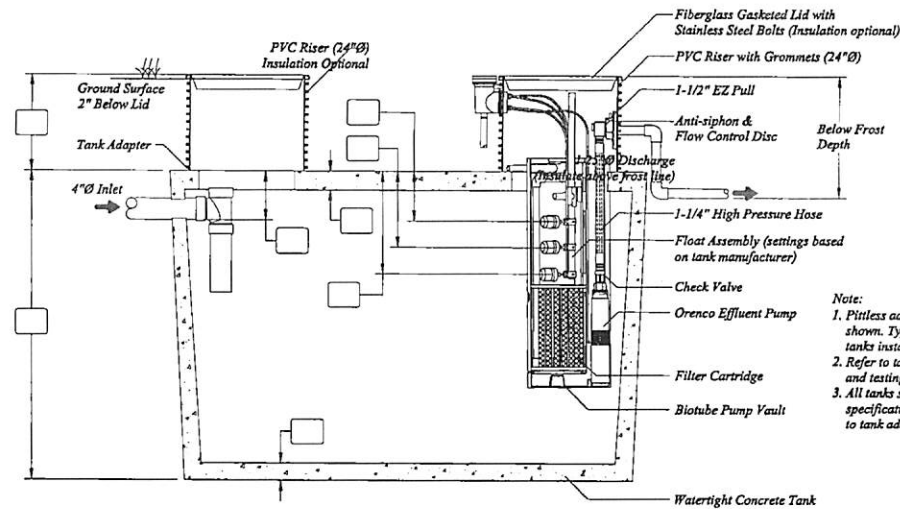
Commission Manager

cc: North 43 Lagoon Commission Board
Lac Ste. Anne County Council

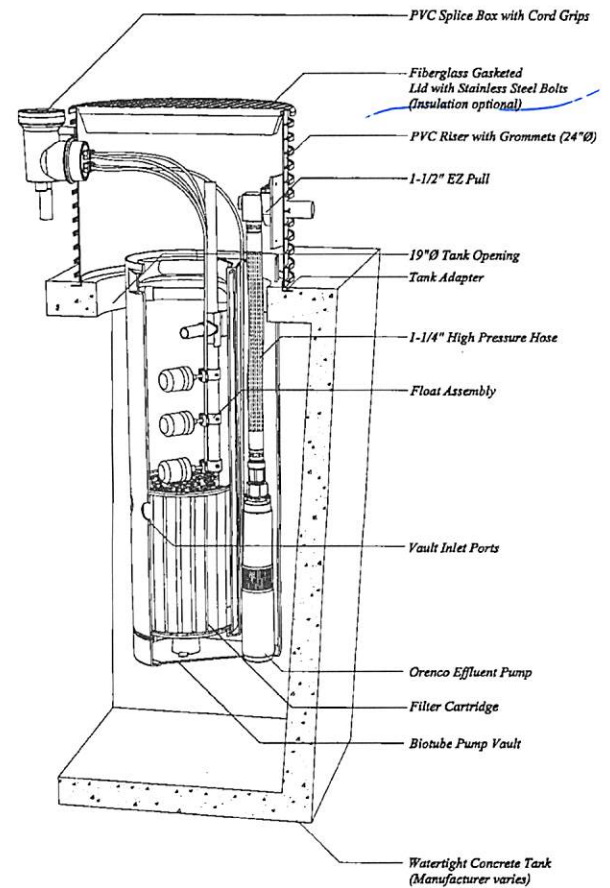




TOP VIEW



SECTION VIEW



ISO DETAIL

Note:
 1. Pitless adapter style hose and valve shown. Typically used for cold weather or tanks installed deeper than 24".
 2. Refer to tank manufacturer for installation and testing instructions.
 3. All tanks shall be watertight tested per specifications by filling water 2" past riser to tank adapter connection.

UNAUTHORIZED CHANGES & USES

Orenco has prepared these drawings for use by the design engineer. Orenco will not be responsible or liable for unauthorized changes to or uses of these drawings. All changes to these drawings must be made in writing and must be approved by the design engineer.

PRODUCT CONFIGURATION DRAWINGS



Orenco Systems[®] Incorporated
 Changing the Way the World Does Wastewater[®]

Drawn By: CSJ
 Drawn For: Engineer

Project: STEP Package Detail
 (Concrete Tank)
 Title: Details

Scale: 1" = 2'-0"
 Sheet: 5 OF 6
 Rev: 1.0 Date: 5/22/13

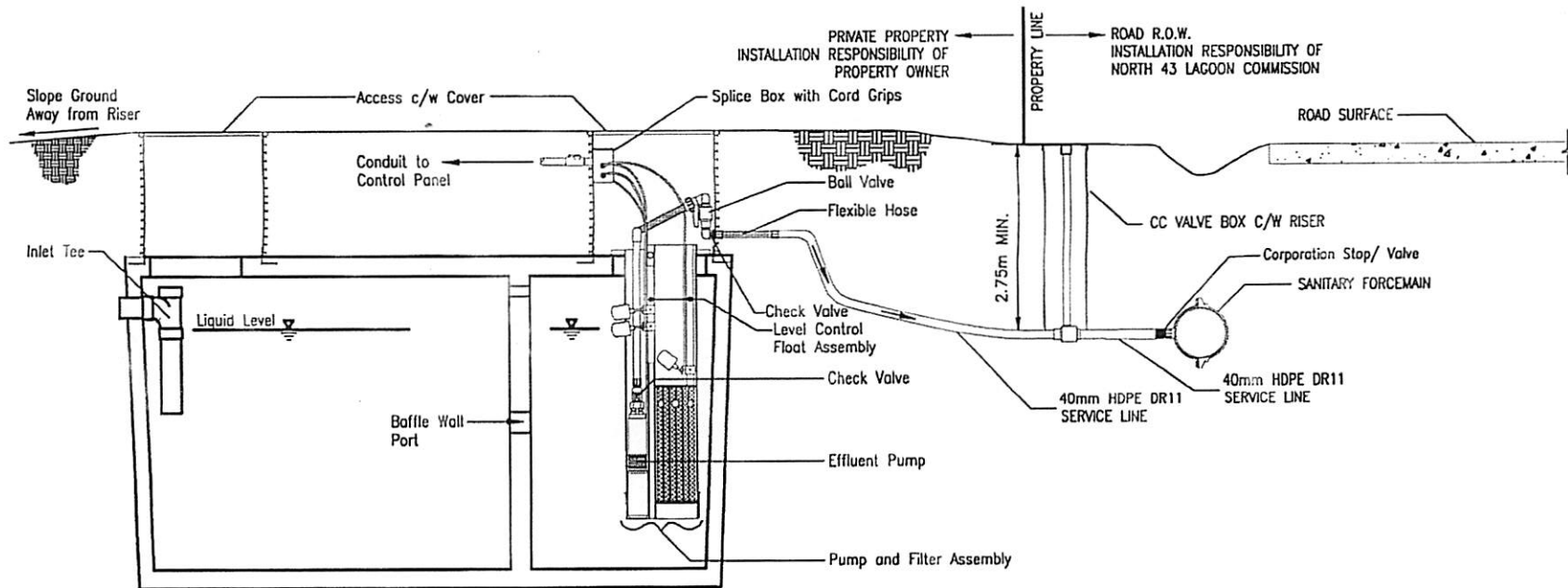
North 43 Lagoon Commission
Gunn Regional Sanitary System
On-Lot Service Connection for Residential Units



#140, 2121 Premier Way
Sherwood Park, Alberta
780.410.2580

File : S-38072

Date: 2018-06-14



SCALE: N.T.S.